

XDR SERIES

ventra

XDR-450/D

5 CH Hybrid HD Mobile DVR
(1) 720P HD + (4) Analog HD 720 / D1



- Rugged & Reliable
- Small Foot Print
- Vandal Resistant
- Solid State Design
- Harsh environment
- High Temp. Tolerance

Environmental Applications – **Beyond Vehicles**



Industrial

Harsh Environment

Remote Sites

12V DC Power

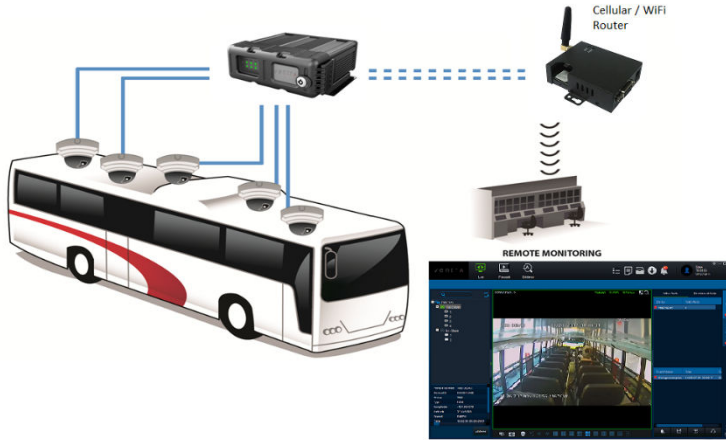


- Supports (1) x 720P HD + (4) Analog HD 720AHD
- Includes (1) Color Camera + 32GB Card
- Up to 256GB SD (128 x 2) max capacity
- Video out connection for real time viewing
- Passive GPS for route and speed history
- Recording - Continuous / Schedule / Event
- Vandal-Resistant Enclosure with Lock
- Customize resolution / frame / setting per camera
- Continuous or Mirror Recording on Dual SD card
- Set vehicle max speed limit trigger
- SD card recording /
- System setup via OSD or Optional Controller
- Integrates with Google Map
- Alarm sensor for event trigger
- 4 PIN DIN for secure connection
- Vibration and shock resistant
- Convenient backup by AVI file or JPG
- USB Port for local download / Configuration
- Video signal loss detection
- Driver / Company / DVR ID

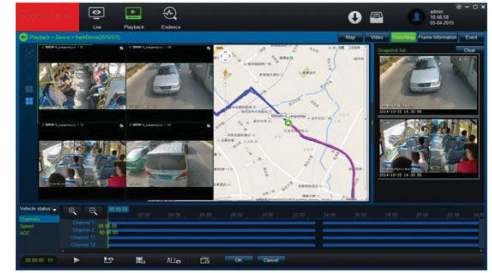
Designed for commercial and demanding environments, the XDR series is a rugged Mobile DVR ideal for a wide range for harsh and demanding applications.

Hybrid Technology incorporates HD video technology with standard definition cameras, providing cutting edge technology with optimal recording and reliability.

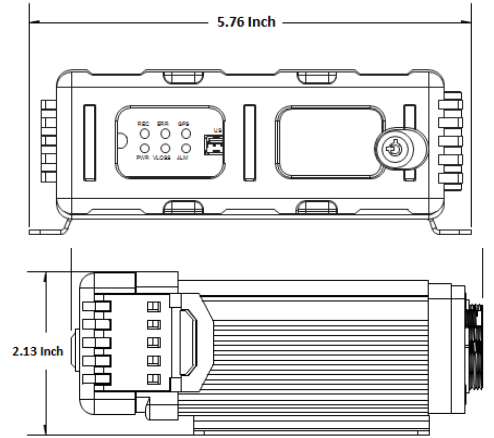
- Optional connection to external cellular or WiFi router for remote live viewing



XDR Central Management Software



Dimension



System Includes:

- 1) XDR Mobile DVR
- 1) 1 Color Camera*
- 1) SD card
- 1) Passive GPS
- 1) CMS Software
- 1) EX4-PIG Video Out Cable
- 1) Power Cable

Optional Accessories:

- VLCD 7" LCD Screen
- EX4-PIG 4PIN DIN to BNC Converter
- EX4-ALC Event Alarm Sensor Cable 8 IN / 2 Out
- EX4-CBL15 15 Feet Cable
- EX4-CBL33 33 Feet Cable
- EX4-CBL60 60 Feet Cable
- EX5-CBL33 Cable (EX5-HD1/2)
- EX5-CBL60 Cable (EX5-HD1/2)
- EX4-PGM 7" LCD Touch Screen Programmer

Optional Cameras:



Specifications

System	Channels	5 CH (1) 720P HD + (4) Analog HD 720 AHD
	Resolution	720P HD (1280 x 720) WD1 (928 x 480) WHD1 (928 X 240) D1 (704 X 480)
	TotalFPS	(4 x 30) FPS WD1 + 30FPS 720P (IPC) or (4 x 15) FPS 720P(AHD) + 30FPS 720P (IPC)
Video	Format	NTSC 1VPP 750hm
Storage	SDCard	2 SD Slots - (128GB x 2) 256 GB Max, Min U1 Speed
Audio	CH / Codec	5 CH Input / ADPCM
Video	Compression	H.264 MP4
VideoOut	Connection	1 CH / BNC (EX4-PIGPIGTAIL)
GPS	External	Passive GPS Receiver - Location, Speed, Time Sync
RecordingMode	Selectable	Continuous / Scheduled / Event (sensor, speed, motion, video loss, temperature)
Pre / PostEvent	Recording	Pre - up to 30min / Post - up to 60 min
MirrorRecording	Available	256 GB Continuous or 128 GB Mirror
ImageQuality	Resolution	1 - 8 Levels adjustable (1 = Best)

Interface	Connection Port	USB 2.0 x 1, RS232 x 1
Interface Sensor	Alarm Sensor	8 Inputs / 2 Outputs (optional)
OS		Linux
Search Mode		Date, Time, Channel, File Type, Alarm
System Setup		Mouse (USB) or Optional Touch Panel Tablet
	Display	1 CH, 4 CH, 9 CH
Power	Input / Consumption	DC 8 - 36V, Ignition / 29W
	Output	5VDC 1A
Temperature	Operating	-10F ~ 158F (-10C ~ 70C)
Humidity	Relative	<90%
Weight	Dimension (L x W x H)	1.85LB (0.83 KG) / 5.59" x 5.7" x 2.13" (167 x 146 x 54 mm)
Warranty		1 Year Warranty
Certification		CE, FCC

Specification subject to change without prior notice